



LEGEND:

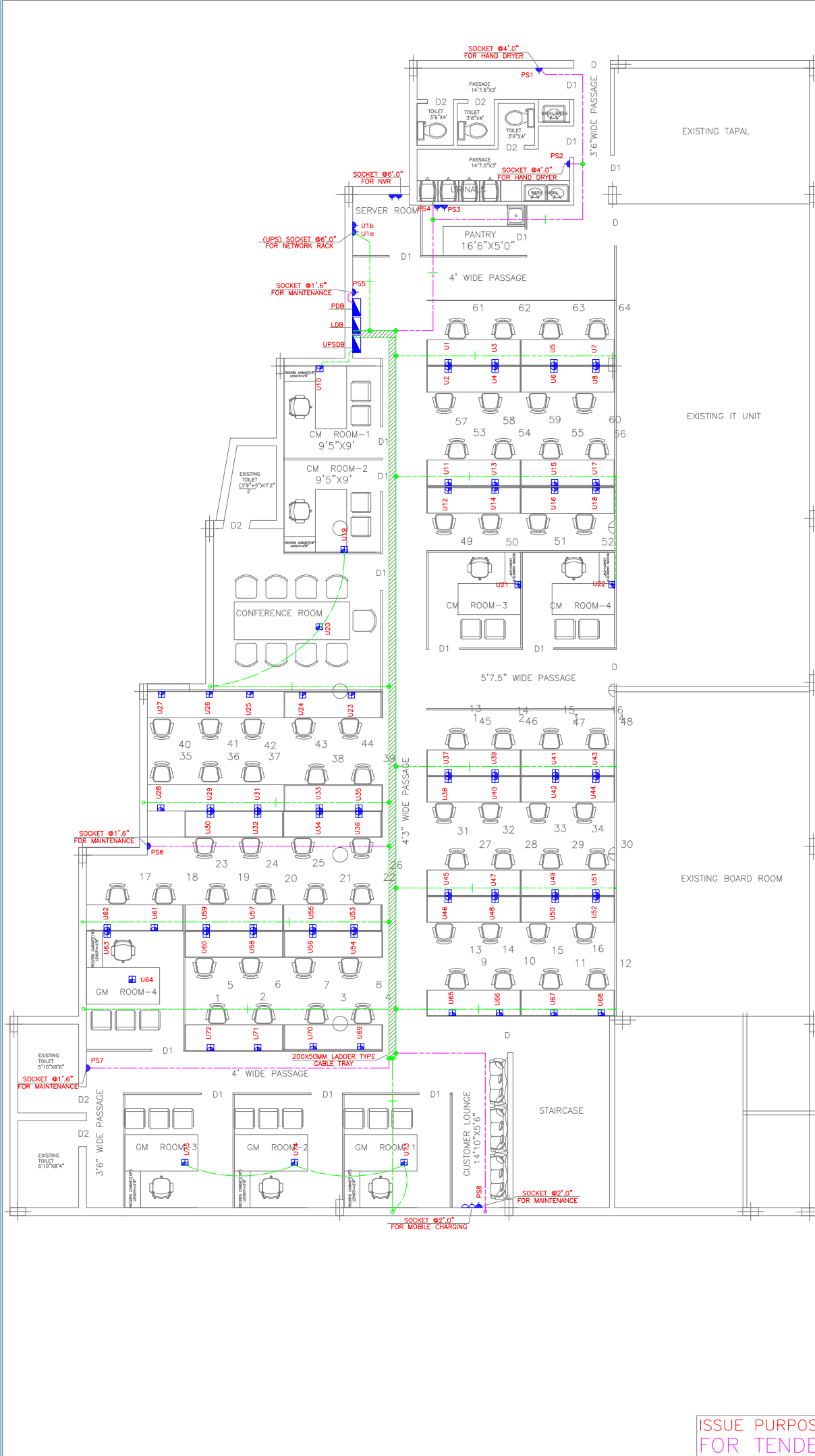
SYMBOL	DESCRIPTION	MOUNTING Ht. AFFL
	2'x2'x36W LED RECESS MOUNTED LIGHT FIXTURE WITH MIRROR OPTIC REFLECTOR	ØCEILING
	2'x2'x36H LED RECESS MOUNTED LIGHT FIXTURE WITH MIRROR OPTIC REFLECTOR FOR EMERGENCY	ØCEILING
	LED SPOT LIGHT FIXTURE	ØCEILING
	LED SPOT LIGHT FIXTURE FOR EMERGENCY	ØCEILING
	MIRROR LIGHT FIXTURE	Ø6'6"
	EXHAUST FAN	Ø7'9"
	6A SINGLE POLE SWITCH	Ø4'0"
	TWO WAY SWITCH	Ø4'0"
	MCB DISTRIBUTION BOARD	Ø6'0"
	19mm DIA, 2mm THICK PVC CONDUIT LAID ABOVE FALSE CEILING	
	25mm DIA, 2mm THICK PVC CONDUIT LAID ABOVE FALSE CEILING	
	19mm DIA, 2mm THICK PVC CONDUIT CHASED IN WALL	
	19mm DIA, 2mm THICK PVC CONDUIT LAID IN FLOOR	
	25mm DIA, 2mm THICK PVC CONDUIT LAID IN FLOOR	
	200X50MM LADDER TYPE CABLE TRAY	

- GENERAL NOTE :-**
- DRAWING SHALL NOT BE MEASURED, FOR MEASUREMENT REFER ARCHITECTURAL DRAWINGS.
 - ALL PVC CONDUIT SHALL BE 2mm THICK ONLY.
 - LIGHTING & POWER CIRCUITS TO BE TAKEN IN SEPARATE CONDUIT.
 - FOR POINT WIRING MINIMUM 1.5sqmm WIRE TO BE USED FOR BOTH PHASE & NEUTRAL.
 - COLOR CODING OF WIRES SHALL BE AS BELOW :
 PHASE(RED) - RED
 PHASE(BLUE) - BLUE
 PHASE(YELLOW) - YELLOW
 NEUTRAL - BLACK
 GROUND - GREEN
 - COLOR CODING OF CONDUIT SHALL BE AS BELOW :
 WHITE - ELECTRICAL
 BLUE - NETWORK & CCTV
 YELLOW - ACCESS CONTROL
 GREY - PUBLIC ADDRESS
 RED - FIRE(METAL)
 - WHEREVER SWITCH BOXES ARE LOCATED NEXT TO THE EDGE OF THE WALL/DOOR 5" HORIZONTAL DISTANCE TO BE MAINTAINED FROM THE EDGE OF THE WALL.
 - A DISTANCE OF MINIMUM 300mm TO BE MAINTAINED BETWEEN POWER CABLE AND COMMUNICATION CABLE.
 - PHASE SHALL BE LOOPED ONLY FROM SWITCH BOX TO SWITCH BOX.
 - MOUNTING BOX FROM TV & TELE TO BE SEPARATE, (SHALL NOT BE PART OF ELECTRICAL SWITCH BOX).
 - MOUNTING HEIGHT MENTIONED ARE FROM BOTTOM OF THE BOX.
 - HORIZONTAL DIMENTION MENTIONED ARE FROM CENTRE OF BOX.
 - LOCATION OF SWITCHES & SOCKETS MOUNTING BOXES TO BE CHECKED BY ARCHITECTS/CONSULTANTS BEFORE PLASTERING OF WALLS.
 - ALL WIRE SHOULD BE FRISH

REV	DATE	AMENDMENTS	DRAWN	APPD
ARCHITECT				
N.G.SHESHAGIRI RAO & ASSOCIATES ARCHITECTS, STRUCTURAL & CIVIL ENGINEERS NO 12, KRUMBAL ROAD, LALBAKET GATE, BANGALORE-560004				
MEP CONSULTANT				
Skyline electro #17 Annapameshwari layout, Dasampura Nelamangala Bangalore - 562162 Tel : +91 7019934428 Web : www.skylineelectro.com				
PROJECT TITLE				
HEAD OFFICE, KARNATAKA GRAMEENA BANK, BALLARI.				
DRAWING TITLE				
ELECTRICAL LIGHTING CONDUIT LAYOUT				
DRAWN	SHARATH	DATE	: 03.07.2025	
DESIGNED	MAHENDRA	SCALE	: NTS	
JOB No		SHEET:	A2	
		DRAWING No :	SKY/2025/SE527	
			SE527-E-1-01	
			REV	RO

ISSUE PURPOSE FOR TENDER

This document is a confidential property of the Skyline electro. We reserve all rights of this document & the information contained. Reproduction, use or disclosure of information in total or a part of it to the third party or to any unauthorized person is strictly forbidden & is liable for prosecution. - SKYLINE ELECTRO



LEGEND:

SYMBOL	DESCRIPTION	MOUNTING Ht. / ZEL
D	6A MULTIPIN SOCKET CONTROLLED BY SP SWITCH	Ø4.0"
▶	6/16A MULTIPIN SOCKET CONTROLLED BY 20A SP SWITCH	Ø1.6"
⊞	1 No. of 6/13A FLAT/ROUND PIN SOCKET + 2 No. of 6A SOCKET CONTROLLED BY 10A SP SWITCH(UPS SUPPLY)	Ø1.6"
⊞	20A SOCKET FOR AC / GEYSER	Ø7.9"
⊞	20A SP SWITCH FOR AC / GEYSER	Ø4.0"
⊞	MCB DISTRIBUTION BOARD	Ø6.0"
---	18mm DIA, 2mm THICK PVC CONDUIT LAID ABOVE FALSE CEILING	
---	25mm DIA, 2mm THICK PVC CONDUIT LAID ABOVE FALSE CEILING	
---	18mm DIA, 2mm THICK PVC CONDUIT CHASED IN WALL	
---	18mm DIA, 2mm THICK PVC CONDUIT LAID IN FLOOR	
---	25mm DIA, 2mm THICK PVC CONDUIT LAID IN FLOOR	
---	THIS CONDUIT INDICATES RAW POWER SUPPLY	
▨	200X50MM LADDER TYPE CABLE TRAY	

- GENERAL NOTE :-**
- DRAWING SHALL NOT BE MEASURED, FOR MEASUREMENT REFER ARCHITECTURAL DRAWINGS.
 - ALL PVC CONDUIT SHALL BE 2mm THICK ONLY.
 - LIGHTING & POWER CIRCUITS TO BE TAKEN IN SEPERATE CONDUIT.
 - FOR POINT WIRING MINIMUM 1.5sqmm WIRE TO BE USED FOR BOTH PHASE & NEUTRAL.
 - CLOUR CODING OF WRES SHALL BE AS BELOW :
 PHASE(RED) - RED
 PHASE(BLUE) - BLUE
 PHASE(YELLOW)- YELLOW
 NEUTRAL - BLACK
 GROUND - GREEN
 - CLOUR CODING OF CONDUIT SHALL BE AS BELOW :
 WHITE - ELECTRICAL
 BLUE - NETWORK & CCTV
 YELLOW - ACCESS CONTROL
 GREAY - PUBLIC ADDRESS
 RED - FIRE(METAL)
 - WHEREVER SWITCH BOXES ARE LOCATED NEXT TO THE EDGE OF THE WALL/DOOR 5" HORIZONTAL DISTANCE TO BE MAINTAINED FROM THE EDGE OF THE WALL.
 - A DISTANCE OF MINIMUM 300mm TO BE MAINTAINED BETWEEN POWER CABLE AND COMMUNICATION CABLE.
 - PHASE SHALL BE LOOPED ONLY FROM SWITCH BOX TO SWITCH BOX.
 - MOUNTING BOX FROM TV & TELE TO BE SEPERATE,(SHALL NOT BE PART OF ELECTRICAL SWITCH BOX).
 - MOUNTING HEIGHT MENTIONED ARE FROM BOTTOM OF THE BOX.
 - HORIZONTAL DIMENTION MENTIONED ARE FROM CENTRE OF BOX.
 - LOCATION OF SWITCHES & SOCKETS MOUNTING BOXES TO BE CHECKED BY ARCHITECTS/CONSULTANTS BEFORE PLASTERING OF WALLS.
 - ALL WRE SHOULD BE FRSH

REV	DATE	AMENDMENTS	DRAWN	APPD
ARCHITECT				
N.G.SHESHAGIRI RAO & ASSOCIATES ARCHITECTS, STRUCTURAL & CIVIL ENGINEERS NO 12, KRUMBAL ROAD, LALBAHARI WEST GATE,MALLI, BANGALORE-560004				

MEP CONSULTANT

Skyline electro

#17 Annapameshwari layout,
Dasampura Nelamangala
Bangalore - 562162

Tel : +91 7019934428
Web : www.skylineelectro.com

PROJECT TITLE

HEAD OFFICE,KARNATAKA
GRAMEENA BANK,BALLARI.

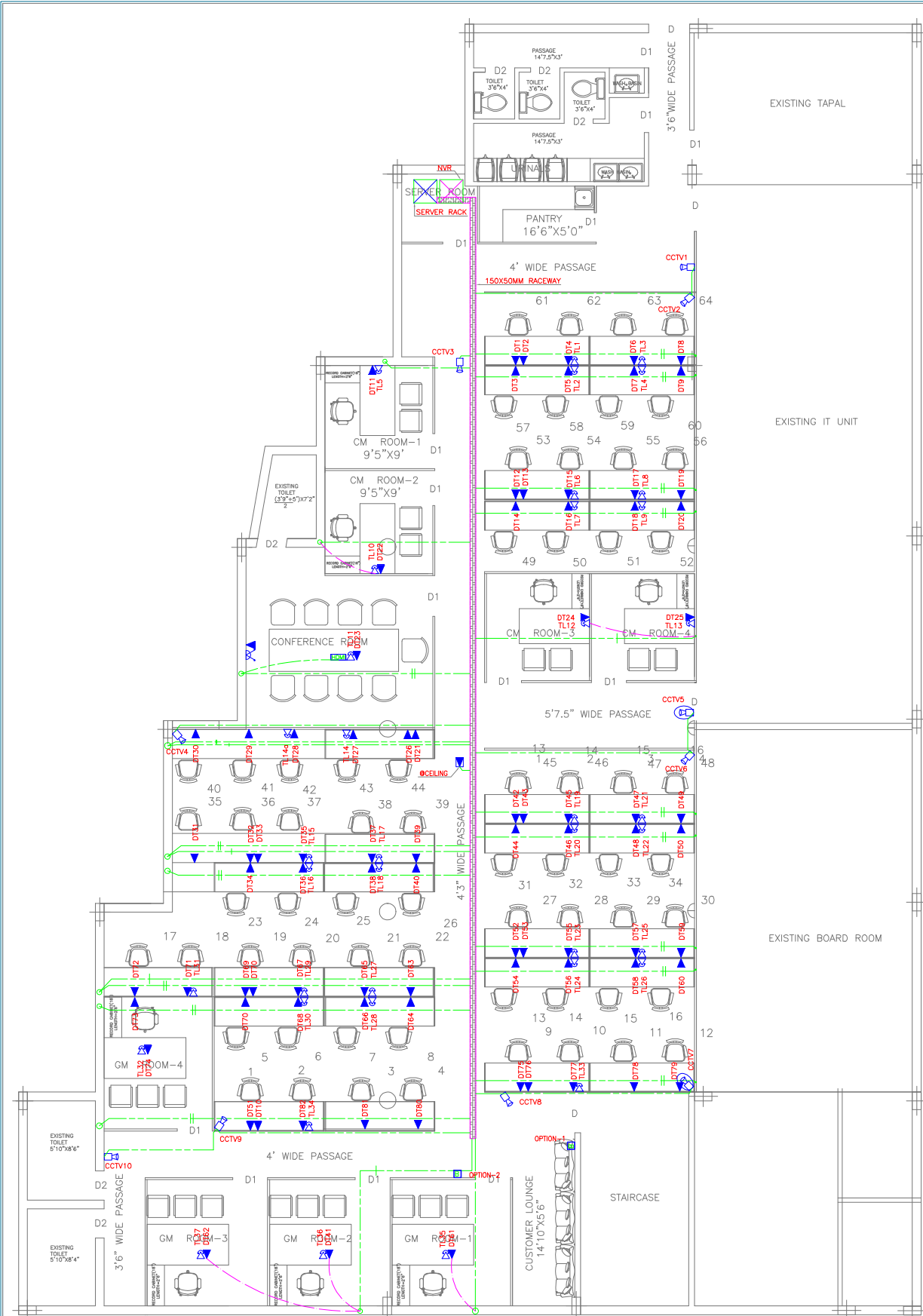
DRAWING TITLE

ELECTRICAL POWER CONDUIT LAYOUT

DRAWN	SHARATH	DATE	03.07.2025
DESIGNED	MAHENDRA	SCALE	NTS
JOB No	SKY/2025/SE527	SHEET:	A2
		DRAWING No :	SE527-E-P-01

ISSUE PURPOSE
FOR TENDER

This document is a confidential property of the Skyline electro. We reserve all rights of this document & the information contained. Reproduction, use or disclosure of information in total or a part of it to the third party or to any unauthorized person is strictly forbidden & is liable for prosecution.- SKYLINE ELECTRO



LEGEND:

SYMBOL	DESCRIPTION	MOUNTING HL, AFL
	RJ-11 TELEPHONE OUTLET	SEE NOTE
	CAT6 DATA OUTLET	SEE NOTE
	RG-6 TV OUTLET	04'0"
	CAT6 DATA OUTLET FOR WIFI	07'0"
	CCTV CAMERA	0CEILING
	HDMI OUTLET	
	BIOMETRIC	04'0"
	IP BULLET CAMERA FIXED LENS (INDOOR TYPE)	0CEILING/ WALL MOUNT
	19mm DA, 2mm THICK PVC CONDUIT	LAD ABOVE FALSE CEILING
	25mm DA, 2mm THICK PVC CONDUIT	LAD ABOVE FALSE CEILING
	32mm DA, 2mm THICK PVC CONDUIT	LAD ABOVE FALSE CEILING
	19mm DA, 2mm THICK PVC CONDUIT	LAD IN FLOOR
	150X50MM RACEWAY	

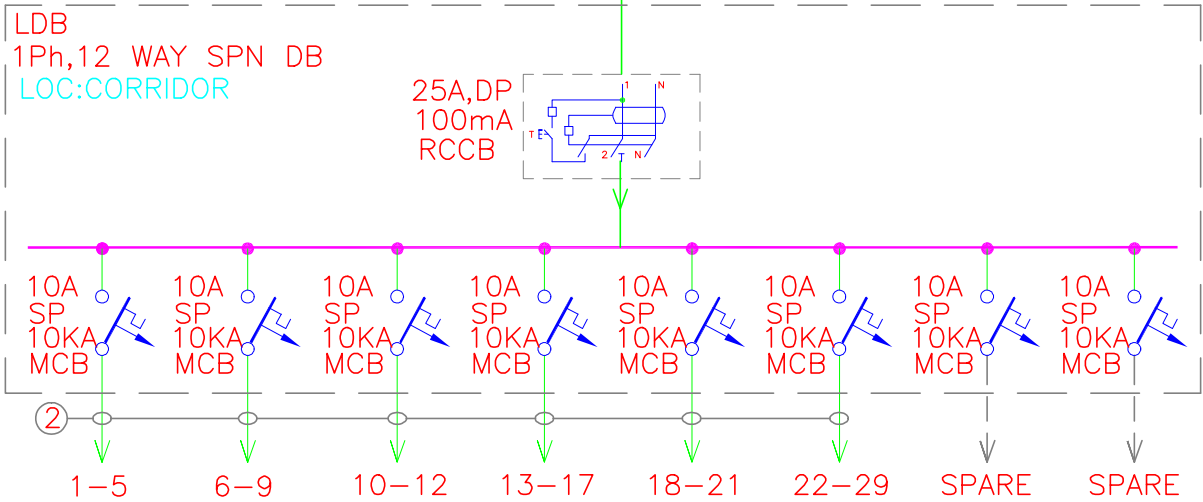
- GENERAL NOTE :-**
- DRAWING SHALL NOT BE MEASURED, FOR MEASUREMENT REFER ARCHITECTURAL DRAWINGS.
 - ALL PVC CONDUIT SHALL BE 2mm THICK ONLY.
 - LIGHTING & POWER OUTLETS TO BE TAKEN IN SEPARATE CONDUIT.
 - FOR POINT WIRING MINIMUM 1.5sqmm WIRE TO BE USED FOR BOTH PHASE & NEUTRAL.
 - COLOR CODING OF WIRES SHALL BE AS BELOW :
 PHASE(RED) - RED
 PHASE(BLUE) - BLUE
 PHASE(YELLOW) - YELLOW
 NEUTRAL - BLACK
 GROUND - GREEN
 - COLOR CODING OF CONDUIT SHALL BE AS BELOW :
 WHITE - ELECTRICAL
 BLUE - NETWORK & CCTV
 YELLOW - ACCESS CONTROL
 GREY - PUBLIC ADDRESS
 RED - FIRE(METAL)
 - WHEREVER SWITCH BOXES ARE LOCATED NEXT TO THE EDGE OF THE WALL/DOOR 5" HORIZONTAL DISTANCE TO BE MAINTAINED FROM THE EDGE OF THE WALL.
 - A DISTANCE OF MINIMUM 300mm TO BE MAINTAINED BETWEEN POWER CABLE AND COMMUNICATION CABLE.
 - PHASE SHALL BE LOOPED ONLY FROM SWITCH BOX TO SWITCH BOX.
 - MOUNTING BOX FROM TV & TELE TO BE SEPARATE, (SHALL NOT BE PART OF ELECTRICAL SWITCH BOX).
 - MOUNTING HEIGHT MENTIONED ARE FROM BOTTOM OF THE BOX.
 - HORIZONTAL DIMENTION MENTIONED ARE FROM CENTRE OF BOX.
 - LOCATION OF SWITCHES & SOCKETS MOUNTING BOXES TO BE CHECKED BY ARCHITECTS/CONSULTANTS BEFORE PLASTERING OF WALLS.
 - ALL WIRE SHOULD BE FRISH

REV	DATE	AMENDMENTS	DRAWN	APPD
ARCHITECT				
N.G.SHESHAGIRI RAO & ASSOCIATES ARCHITECTS, STRUCTURAL & CIVIL ENGINEERS NO 12, KRUMBAL ROAD, LALBAHARI WEST GATE, BANGALORE-560004				
MEP CONSULTANT				
Skyline electro #17 Annapurneshwari layout, Dasampura Nelamangala Bangalore - 562162 Tel : +91 7019934428 Web : www.skylineelectro.com				
PROJECT TITLE				
HEAD OFFICE, KARNATAKA GRAMEENA BANK, BALLARI.				
DRAWING TITLE				
ELECTRICAL LOW VOLTAGE CONDUIT LAYOUT				
DRAWN	SHARATH	DATE	03.07.2025	
DESIGNED	MAHENDRA	SCALE	NTS	
JOB No		SHEET:	A2	
		DRAWING No :	SKY/2025/SE527	
			SE527-E-LV-01	

ISSUE PURPOSE
FOR TENDER

This document is a confidential property of the Skyline electro. We reserve all rights of this document & the information contained. Reproduction, use or disclosure of information in total or a part of it to the third party or to any unauthorized person is strictly forbidden & is liable for prosecution. - SKYLINE ELECTRO

FROM MAIN PANEL



NUMERICAL LEGEND

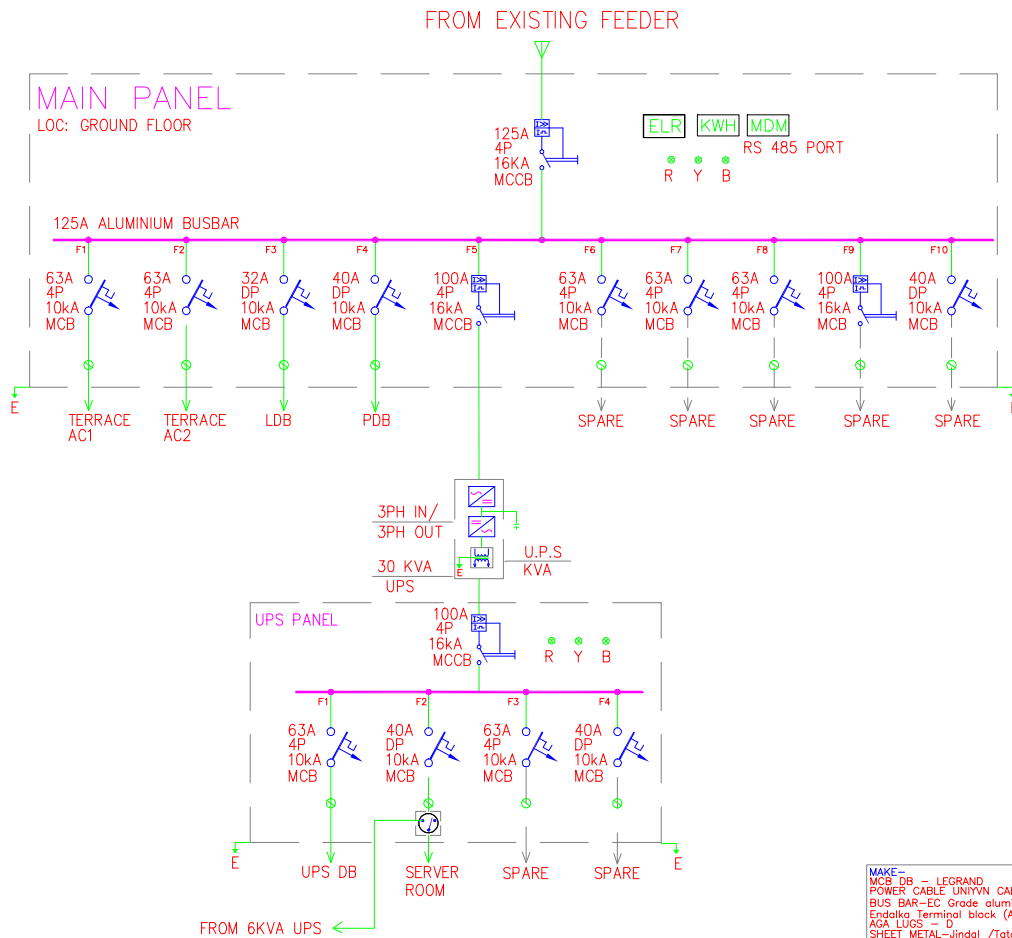
- ① 2R_x6sqmm+1x2.5sqmm CU PVC INSULATED FRLSH WIRES
- ② 2R_x2.5sqmm+1x1.5sqmm CU PVC INSULATED FRLSH WIRES

REV	DATE	REVISIONS	DRAWN	APPD
ARCHITECT				
N.S.SRINIVAS RAO & ASSOCIATES PROJECT ENGINEERS & DESIGNERS 10, 12, 13, 14, 15, 16, 17, 18, 19, 20, 21, 22, 23, 24, 25, 26, 27, 28, 29, 30, 31, 32, 33, 34, 35, 36, 37, 38, 39, 40, 41, 42, 43, 44, 45, 46, 47, 48, 49, 50, 51, 52, 53, 54, 55, 56, 57, 58, 59, 60, 61, 62, 63, 64, 65, 66, 67, 68, 69, 70, 71, 72, 73, 74, 75, 76, 77, 78, 79, 80, 81, 82, 83, 84, 85, 86, 87, 88, 89, 90, 91, 92, 93, 94, 95, 96, 97, 98, 99, 100				
MEP CONSULTANT				
 Skyline electro EIT Annaprasanna Nagaraj, Bangalore - 561162 Tel : +91 761834428 Web : www.skylineelectro.com				
PROJECT TITLE				
HEAD OFFICE,KARNATAKA GRAMEENA BANK,BALLARI.				
DRAWING TITLE				
ELECTRICAL DISTRIBUTION BOARD DETAILS				
DATE	SCALE	DATE	SCALE	DATE
04/07/2024	1:1	04/07/2024	1:1	04/07/2024
JOB No				
SKY/2025/SES27				
SHEET No				
01				
DATE				
04-08-25				
This drawing is a part of the contract documents for the project mentioned above. It is to be used only for the purpose mentioned in the contract documents. It is not to be used for any other purpose without the written consent of the architect.				

ISSUE PURPOSE
FOR TENDER

MAIN PANEL

LOC: GROUND FLOOR



LEGEND :-

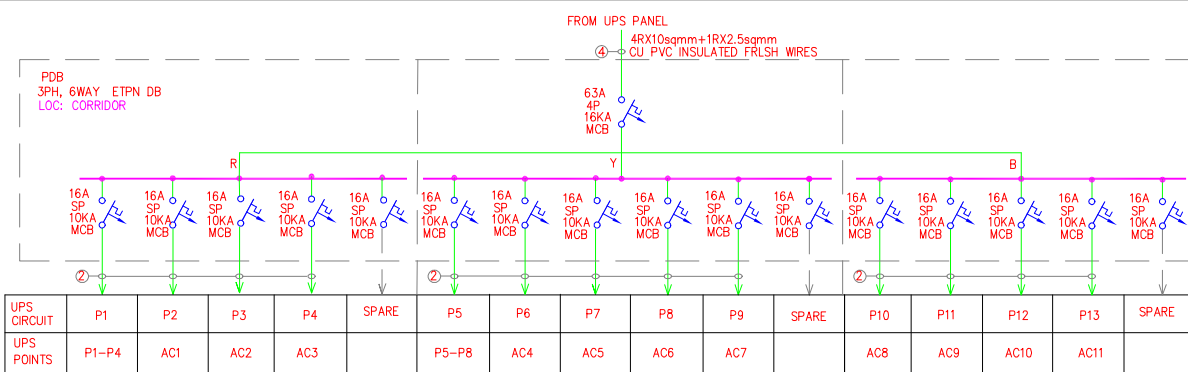
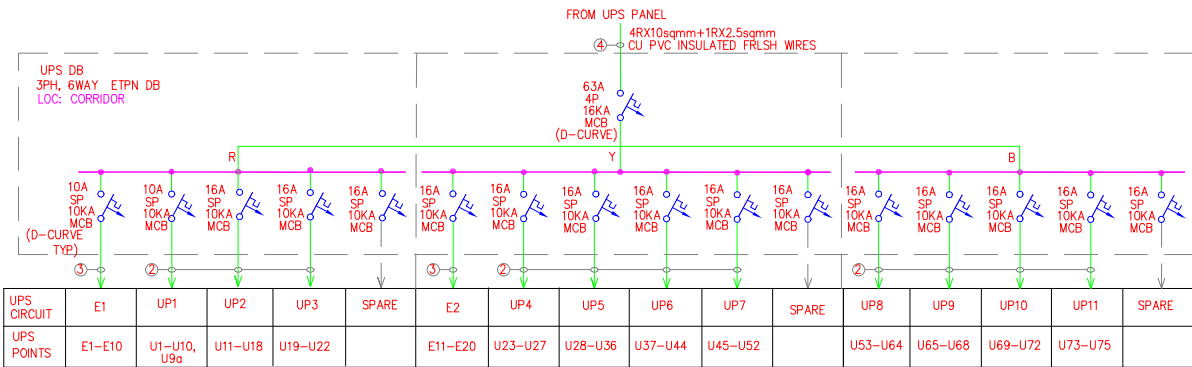
SYMBOL	DESCRIPTION
	EARTH LEAKAGE RELAY
	KILOWATT-HOUR METER
	MULTIPARAMETER DISPLAY OF V, KWH, KVAR, KVA, KW, PF, WATT RS 485 PORT, ANALOG, RS 485 PORT, ANALOG
	SURGE PROTECTIVE DEVICES
	INDICATING LAMP (LED TYPE)
	MINIATURE CIRCUIT BREAKER
	MOULDED CASE CIRCUIT BREAKER, 1P/N, WITH ADJUSTABLE OVERLOAD, FIXED SHORT CIRCUIT PROTECTION
	BUSBAR
	MANUAL CHANGE-OVER SWITCH

- CONSTRUCTION FEATURES**
- CABLE ENTRY : TO SUIT SITE CONDITION
 - ROUTING : TOP/BOTTOM
 - DEGREE OF PRO. : (IPX)
 - SHEET METAL : 16SWG CRCA MS FOR FRAME/DOOR, 14SWG CRCA MS FOR DOOR
 - POWDER COATING : SIEMENS GRAY/VAL 7032
 - BASE FRAME : 75x40x6mm 'C' CHANNEL
 - PANEL HEIGHT : SHALL NOT BE MORE THAN 7 FEET SINGLE FRONT
 - 25X6MM COPPER STRIP ENTER LENGTH OF PANEL
- NOTE:-**
- OPERATING COMPONENTS SHALL NOT BE LESS THAN 40mm & MORE THAN 1800mm AFFL.
 - FABRICATION SHALL BE STARTED ONLY AFTER TAKING APPROVAL OF GA DRAWINGS FROM CONSULTANTS.
 - PANEL SHALL BE DISPATCHED ONLY AFTER INSPECTION FROM CONSULTANTS.
 - CURRENT DENSITY OF ALUMINIUM BUS BAR 2AMP/Sqmm TO BE CONSIDERED.
 - CURRENT DENSITY OF COPPER BUS BAR 2AMP/Sqmm TO BE CONSIDERED.
 - ALL MCCBs TO BE MOTOR STARTED ('C' CURVE)
 - PANEL SHOULD BE HAVE DRAWING PACKET

ISSUES PURPOSE FOR TENDER

REV	DATE	AMENDMENTS	DRWN	APPR
<p>ARCHITECT</p> <p>N.G.SHESHAGIRI RAO & ASSOCIATES ARCHITECTS, CIVIL, ELECTRICAL & MECH. ENGINEERS NO. 10, RAJESHWARI ROAD, LALUBAGI WEST, GYDRAHALLI, BANGALORE-560024</p> <p>MEP CONSULTANT</p> <p>Skyline electro E-17, Anandnagar, Hebbal, Bangalore-560029 Skylines - 201712 Tel : +91 7818834438 Web : www.skylineelectro.com</p> <p>PROJECT TITLE</p> <p>HEAD OFFICE, KARNATAKA GRAMEENA BANK, BALLARI.</p> <p>DRAWING TITLE</p> <p>SINGLE LINE DIAGRAM</p> <p>DRWN : PR DATE : 03.07.2025 DESIGNED : MURDANDRA SCALE : MTS JOB No. : SKY/2025/SE527 SHEET : 01 REV : 01</p> <p><small>This document is a confidential property of the Skyline electro. No copies or parts of this document or its information should be made or used in any form or by any means, without the prior written permission of Skyline electro.</small></p>				


MAKE:-
 MCCB - DB - LEGRAND
 POWER CABLE - UNIVYN CABLE
 BUS BAR - EC Grade aluminium (Jindal /
 Endaloka Terminal block (AC DC CONNECTOR)
 AGA LUGS - D
 SHEET METAL - Jindal / Tata
 Powder coated / Tanj prosww



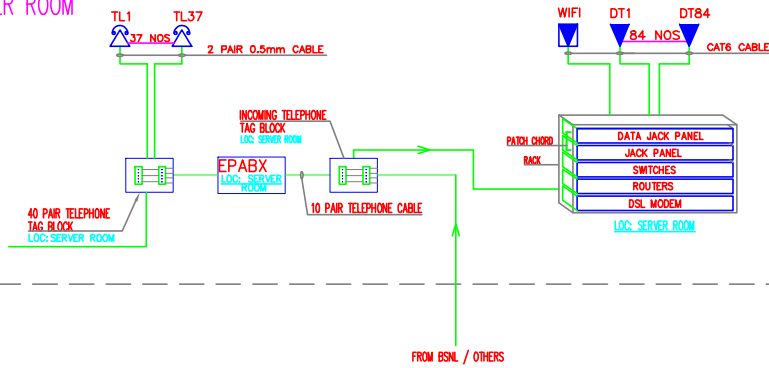
NUMERICAL LEGEND

- ① 4Rx6Sqmm 1X2.5sqmm CU PVC INSULATED FRLSH WIRES
- ② 2Rx4sqmm+1x1.5sqmm CU INSULATED FRLSH WIRES
- ③ 2Rx2.5sqmm+1x1.5sqmm CU INSULATED FRLSH WIRES
- ④ 4Rx10sqmm+1x2.5sqmm CU INSULATED FRLSH WIRES

ISSUE PURPOSE: -
FOR TENDER

REV	DATE	AMENDMENTS	DRAWN	APPRO
ARCHITECT N.C.SHESHAGIRI RAO & ASSOCIATES ARCHITECTS, ENGINEERS & CIVIL ENGINEERS NO. 12, 1ST CROSS, 100th LAYOUT, HEFT OFFICE BUILDING, SKYLINE-202004				
MEP CONSULTANT  #17 Annapurnaheerth Nagar, Channarayana Nagar, Bangalore - 560142 Tel : +91 7019924428 Web : www.skylineelectro.com				
PROJECT TITLE HEAD OFFICE, KARNATAKA GRAMEENA BANK, BALLARI				
DRAWING TITLE ELECTRICAL DISTRIBUTION BOARD DETAILS				
DRAWN	SEAS	DATE	14.07.2025	
DESIGNED	MAHENDRA	SCALE	1:1	
COR. NO.	SKY/2025/SES27	SHEETS	02	NO. 02
<small>*This document is a confidential property of the Skyline electro. The release of parts of this document or the information in total or in part of it to the third party or to any unauthorized person is strictly prohibited. It is liable for prosecution. - SKYLINE ELECTRO</small>				

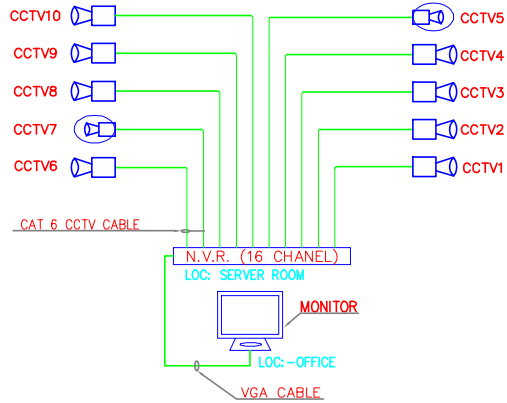
OFFICE
LOC : SERVER ROOM



TELEPHONE AND DATA DISTRIBUTION

LEGEND:

SYMBOL	DESCRIPTION
	RJ-11 TELEPHONE OUTLET
	CAT6 DATA OUTLET
	CAT6 DATA OUTLET FOR WIFI
	IP BULLET CAMERA FIXED LENS (INDOOR TYPE)
	CCTV CAMERA



CCTV DISTRIBUTION

ISSUE PURPOSE:-
FOR TENDER

REV	DATE	AMENDMENTS	DRAWN	APPD
PROJECT				
N.G.SHESHAGIRI RAO & ASSOCIATES ARCHITECTS, ENGINEERS & CIVIL DESIGNERS 100 12, ANANDAPUR, HOUBLI, KARNATAKA 576102 (INDIA) BANGALORE-800004				
CLIENT				
Skyline electro B-17, Anandapuram, HoUBLI, Karnataka, India Bangalore - 576102 Tel : +91 9879344428 Web : www.skylineelectro.com				
PROJECT TITLE				
HEAD OFFICE, KARNATAKA GRAMEENA BANK, BALLARI.				
DRAWING TITLE				
ELECTRICAL LV SCHEMATIC LAYOUT				
DRAWN	REVISD	DATE	DATE	
DESIGNED	Checked	SCALE	DATE	
DATE	DATE	SCALE	DATE	
REV	DATE	DESCRIPTION	DATE	
REV	DATE	DESCRIPTION	DATE	